

# Atlas® FTIR Evacuatable Pellet Dies

Production of high quality sample pellets from 5mm to 40mm diameter.

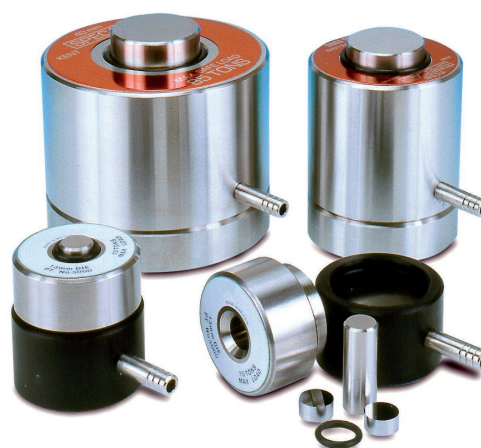
## Atlas® FTIR Evacuatable Pellet Dies

Specac manufactures a wide range of high-quality Atlas® FTIR Evacuatable Pellet Dies suitable for compacting powdered samples into discs or briquettes. These are particularly well suited for the preparation of solid KBr pellets for FT-IR molecular spectroscopic analysis and XRF pellets for X-Ray Fluorescence atomic spectroscopic analysis (as required by a number of USLP and ASTM methods), but also find use in a broad range of other applications. Atlas Series Evacuatable Pellet Dies are typically used in conjunction with the Specac's Atlas Series of Hydraulic Press Products.

These FTIR Evacuatable Pellet Dies produce circular pellets in sizes from 5 mm to 40 mm diameter as standard, but other shapes and sizes are available on request. These pellet dies cover a range of load capabilities. For optimum quality and durability of the pellet die, all parts are manufactured from hardened stainless steel, and surfaces that come in contact with the sample are highly polished.

Each Pellet Die comprises of an evacuatable base, body, plunger, a pair of internal pellet pressing surfaces, extractor ring, and O Ring Kit.

An evacuation port is provided for removal of moisture, if desired, during the pressing process.



### Key features

- > Hardened Stainless Steel
- > Highly polished pellets
- > Evacuatable for sample pellet clarity and quality
- > Vacuum pump kit for moisture free pressing (optional)

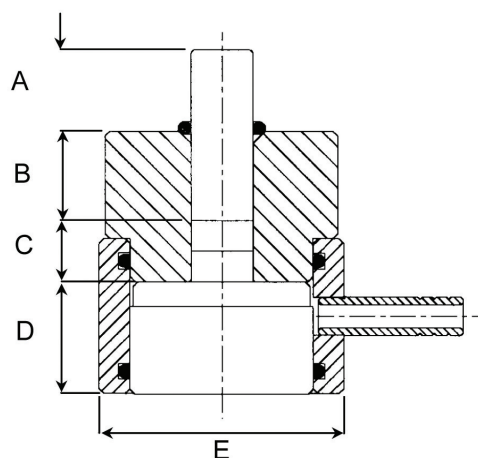
## ordering information

- GS03060** Atlas® 5mm evacuatable pellet die (Max load 2.0 Tons)
- GS03100** Atlas® 10mm evacuatable pellet die (Max load 5.0 Tons)
- GS03000** Atlas® 13mm evacuatable pellet die (Max load 10.0 Tons)
- GS03165** Atlas® 20mm evacuatable pellet die (Max load 25.0 Tons)



# Atlas® FTIR Evacuatable Pellet Dies

Die Size	5mm	10mm	13mm	20mm
P/N	GS03060	GS03100	GS03000	GS03165
A	13.7	16	16.0	21.4
B	38.8	19.1	19.1	35.8
C	12.7	12.7	12.7	19.1
D	22.2	22.7	22.2	27.8
E	50.8	50.8	50.8	68.3



A+B = Plunger Height  
 C = Stainless Steel Pellet Height  
 D = Base Height  
 E = Diameter  
 A+B+C+D = Total Height of Die

## ordering information

### Atlas® FTIR Evacuatable Pellet Dies Options

Size (dia)	Die	Pellet Holder
5mm	GS03060	GS03400
10mm	GS03100	GS03404
13mm	GS03000	GS03410
20mm	GS03165	GS03193*

### Spares and consumables

<b>GS03600</b>	Agate Pestle and Mortar (Mortar Bowl dia. 4cm)
<b>GS03610</b>	KBr powder (50g)
<b>GS03460</b>	Paper rings for 13mm die (11mm diameter aperture) (100)
<b>GS03470</b>	Micro frames for 13mm die (11mm x 2mm aperture) (100)
<b>GS03475</b>	Ultra Micro frames for 13mm die (4mm x 1mm aperture) (100)

\*These pellet holders are sample retaining rings only and do not have a rectangular mounting plate.

Diameter	Sets of Pellets	Plunger	Body	Base	Extractor Ring	O Ring Kit
5mm	GS03061	GS03063	GS03064	GS03050	GS03069	GS03062
10mm	GS03101	GS03103	GS03104	GS03050	GS03025	GS03102
13mm	GS03010	GS03030	GS03040	GS03050	GS03025	GS03020
20mm	GS03166	GS03168	GS03169	GS03191	GS03521	GS03167